

Stand-alone data logger and communicating H2S sensor

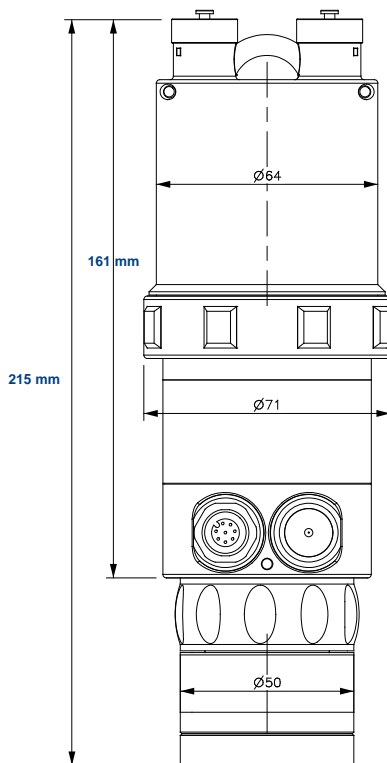
This sensor integrates a power source, communication, an H2S gas sensor and data logger, while guaranteeing long autonomy. Measurement is done by an electrochemical sensor built into a measuring head. It is easily interchangeable on site and comes with its own calibration system.

The sensor can be used either for conventional diagnostics and data acquisition, or in a communicating version with a choice of wireless communication modes: Radio / 2G / 4G (LTE-M / NB-IoT) to various supervision systems and FTP servers (CSV format available).



- **Measurement range: 0 - 2000 ppm**
- **Wireless configuration via RFID**
- **Communication: Radio + 1x optional communication PCB:**
- **2G /LTE-M /NB-IoT**
- **Memory: 500,000 measures**
- **IP68 logger**
- **Self-powered**

Features	LOGAZV4-2000-H2S-82-LTE (868 MHz) - LOGAZV4-2000-H2S-92-LT (915 MHz)
Net weight	550 g
Power supply	Battery: 3.6 V - 17 Ah Battery: 3.6 V / 34 Ah (models with modem)
Measure period	Minimum 10 seconds
Radio	Internal antenna - 100 m free-field range - WIIJ® protocol
Radio frequencies	868 MHz (Europe - China) / 915 MHz (United States, Canada, Australia, etc.)
Data logger	500,000 measures
Internal battery	3.6 V - 17 Ah (A0G00030) <ul style="list-style-type: none"> • Allows configuration by radio and restores the correct time in the event of a power cut (for datalogger function) • Battery operation does not allow use of process outputs
Temperature range	-40°C - 85°C
Housing	ABS 20%FV
Logger ingress protection rating	IP68 (only if using Ijinus mounting kit; P/N: HOT00053 or HOT00060)
Programming	Wiji or Wiji-key programming kit (P/N MOC0001) including AVELOUR software



Certifications

ATEX certification zone 2



CE/FCC/IC certified -



II 3G

Ex ic ec IIB T4 Gc

Ambient temp: -20 °C to 60 °C

SE6A002-A0102 / IC: 10983A-A002-A0102

Gas sensor characteristics	H2S 0-2000 ppm
Typical measurement range	0 - 2000 ppm
Maximum overexposure	10,000 ppm
Sensor accuracy	± 0.15% full scale
Resolution	1 ppm
Temperature range	-30 °C to +50 °C
Relative humidity range	15 to 90% RH without condensation
Pressure range	80 to 120 kPa
Sensor ingress protection rating	IP66
Dimensions	Ø54 x 58 mm
Weight	108 g
Calibration	Built-in to cartridge